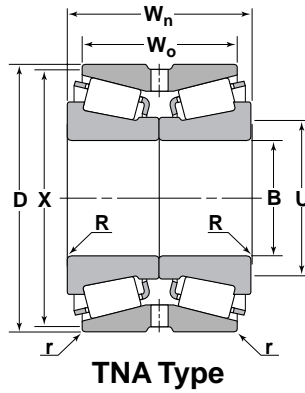


# Tapered Roller Bearings



Load Rating: 3000 hrs L <sub>10</sub> Life @ 500 rpm			K Factor	Cone Number	B	R	U	Cup Number	D	W <sub>o</sub>	r	X	W <sub>n</sub>
Radial Rating		Thrust Rating			Bore Diameter	Maximum Shaft Fillet Radius *	Minimum Shaft Shoulder Diameter		Outside Diameter	Cup Width	Maximum Housing Fillet Radius *	Maximum Housing Shoulder Diameter	Bearing Width Through Cones
One Row	Two Row				Inch/mm				Inch/mm				
lbs/N													
5340 23700	9290 41300	3670 16300	1.45	395 Series NA397	2.3622 60.000	0.14 3.5	2.87 73.0	394D	4.3307 110.000	1.8125 46.038	0.03 0.8	4.11 104.0	2.0625 52.390
7320 32600	12700 56700	4200 18700	1.74	455 Series NA455	2.0000 50.800	0.14 3.5	2.56 65.0	452D	4.2500 107.950	2.1250 53.975	0.03 0.8	3.94 100.0	2.5626 65.090
7740 34400	13500 59900	5100 22700	1.52	475 Series NA482	2.7500 69.850	0.14 3.5	3.27 83.0	472D	4.7244 120.000	2.1250 53.975	0.03 0.8	4.49 114.0	2.5626 65.090
8330 37100	14500 64600	6340 28200	1.31	495 Series NA495A	3.0000 76.200	0.14 3.5	3.62 92.0	493D	5.3750 136.525	2.1250 53.975	0.03 0.8	5.12 130.0	2.7500 69.850
10300 45800	17900 79700	6100 27100	1.69	555 Series NA558	2.3750 60.325	0.14 3.5	2.99 76.0	552D	4.8750 123.825	2.5000 63.500	0.06 1.5	4.53 115.0	3.1250 79.375
10600 47100	18500 82100	6600 29400	1.61	565 Series NA569	2.6250 66.675	0.14 3.5	3.23 82.0	563D	5.0000 127.000	2.5625 65.088	0.06 1.5	4.69 119.0	3.1875 80.962
11200 49600	19400 86400	7720 34300	1.45	575 Series NA580	3.2500 82.550	0.14 3.5	3.86 98.0	572D	5.5115 139.992	2.6250 66.675	0.03 0.8	5.24 133.0	3.2500 82.550

\* The maximum fillet on the shaft or in the housing that the bearing corner will clear.

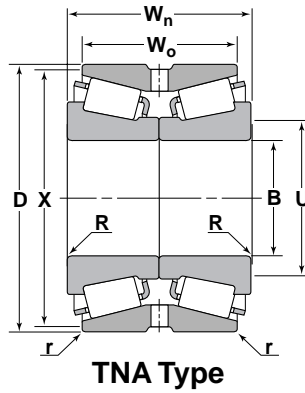
Bore Diameter		Tolerance (Class 2)	
Inch/mm		.0001 Inch/micrometers	
Over	Inclusive	High	Low
0	3.0000	+ 5	0
0	76.200	+ 13	0
3.0000	10.5000	+ 10	0
76.200	266.700	+ 25	0

Outside Diameter		Tolerance (Class 2)	
Inch/mm		.0001 Inch/micrometers	
Over	Inclusive	High	Low
0	12.0000	+ 10	0
0	304.800	+ 25	0
12.0000	24.0000	+ 20	0
304.800	609.600	+ 51	0

Cone Number	B	Cup Number	D	Rotating Cone		Stationary Cup		Stationary Cone		Rotating Cup	
	Bore Diameter		Outside Diameter	Shaft Diameter	Resultant Fit	Housing Diameter	Resultant Fit	Shaft Diameter	Resultant Fit	Housing Diameter	Resultant Fit
	Inch/mm		Inch/mm	.0001 Inch/micrometers	Inch/mm	.0001 Inch/micrometers	Inch/mm	.0001 Inch/micrometers	Inch/mm	.0001 Inch/micrometers	Inch/mm
395 Series NA397	2.3622	394D	4.3307	2.3642	20T	4.3327	10L	—	—	—	—
	60.000		110.000	2.3632	5T	4.3337	30L	—	—	—	—
				60.051	51T	110.051	25L	—	—	—	—
				60.025	13T	110.076	76L	—	—	—	—
455 Series NA455	2.0000	452D	4.2500	2.0020	20T	4.2520	10L	—	—	—	—
	50.800		107.950	2.0010	5T	4.2530	30L	—	—	—	—
				50.851	51T	108.001	25L	—	—	—	—
				50.825	13T	108.026	76L	—	—	—	—
475 Series NA482	2.7500	472D	4.7244	2.7525	25T	4.7264	10L	—	—	—	—
	69.850		120.000	2.7515	10T	4.7274	30L	—	—	—	—
				69.914	64T	120.051	25L	—	—	—	—
				69.888	25T	120.076	76L	—	—	—	—
495 Series NA495A	3.0000	493D	5.3750	3.0025	25T	5.3770	10L	—	—	—	—
	76.200		136.525	3.0015	10T	5.3780	30L	—	—	—	—
				76.264	64T	136.576	25L	—	—	—	—
				76.238	25T	136.601	76L	—	—	—	—
555 Series NA558	2.3750	552D	4.8750	2.3770	20T	4.8770	10L	—	—	—	—
	60.325		123.825	2.3760	5T	4.8780	30L	—	—	—	—
				60.376	51T	123.876	25L	—	—	—	—
				60.350	13T	123.901	76L	—	—	—	—
565 Series NA569	2.6250	563D	5.0000	2.6275	25T	5.0020	10L	—	—	—	—
	66.675		127.000	2.6265	10T	5.0030	30L	—	—	—	—
				66.738	64T	127.051	25L	—	—	—	—
				66.713	25T	127.076	76L	—	—	—	—
575 Series NA580	3.2500	572D	5.5115	3.2525	25T	5.5135	10L	—	—	—	—
	82.550		139.992	3.2515	5T	5.5145	30L	—	—	—	—
				82.614	64T	140.043	25L	—	—	—	—
				82.588	13T	140.068	76L	—	—	—	—

\* The maximum fillet on the shaft or in the housing that the bearing corner will clear.

# Tapered Roller Bearings



Load Rating: 3000 hrs L <sub>10</sub> Life @ 500 rpm			K Factor	Cone Number	B	R	U	Cup Number	D	W <sub>o</sub>	r	X	W <sub>n</sub>
Radial Rating		Thrust Rating			Bore Diameter	Maximum Shaft Fillet Radius *	Minimum Shaft Shoulder Diameter		Outside Diameter	Cup Width	Maximum Housing Fillet Radius *	Maximum Housing Shoulder Diameter	Bearing Width Through Cones
One Row	Two Row				Inch/mm				Inch/mm				
lbs/N													
11700 51900	20300 90300	8820 39200	1.32	595 Series NA593	3.5000 88.900	0.14 3.5	4.09 104.0	592D	6.0000 152.400	2.5000 63.500	0.03 0.8	5.67 144.0	3.2500 82.550
12600 55900	21900 97400	7790 34700		635 Series NA643	2.7500 69.850	0.14 3.5	3.39 86.0	632D	5.3750 136.525	3.0000 76.200	0.06 1.5	4.92 125.0	3.7500 95.250
14300 63500	24900 111000	11500 51200	1.24	675 Series NA691	4.0000 101.600	0.14 3.5	4.65 118.0	672D	6.6250 168.275	2.7500 69.850	0.03 0.8	6.30 160.0	3.6250 92.075
17100 76300	29900 133000	9550 42500		745 Series NA749	3.2500 82.550	0.14 3.5	3.90 99.0	742D	6.1250 155.575	3.3750 85.725	0.06 1.5	5.63 143.0	4.0000 101.600
17700 78500	30700 137000	10300 45900	1.71	755 Series NA759	3.5000 88.900	0.14 3.5	4.17 106.0	752D	6.3750 161.925	3.3750 85.725	0.06 1.5	5.91 150.0	4.1250 104.775
18700 83100	32500 145000	12300 54800		775 Series NA776	3.7500 95.250	0.14 3.5	4.49 114.0	774D	7.1250 180.975	3.3750 85.725	0.06 1.5	6.61 168.0	4.1250 104.775
18700 83100	32500 145000	12300 54800	1.51	NA782	4.1250 104.775	0.14 3.5	4.80 122.0	774D	7.1250 180.975	3.3750 85.725	0.06 1.5	6.61 168.0	4.1250 104.775

\* The maximum fillet on the shaft or in the housing that the bearing corner will clear.

# Dimensions and Ratings

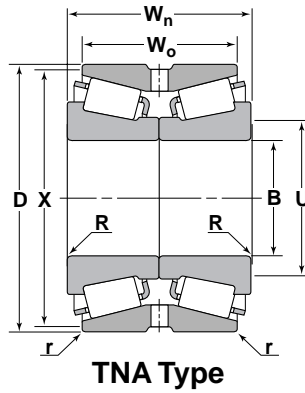
Bore Diameter		Tolerance (Class 2)	
Inch/mm		.0001 Inch/micrometers	
Over	Inclusive	High	Low
0	3.0000	+ 5	0
0	76.200	+ 13	0
3.0000	10.5000	+ 10	0
76.200	266.700	+ 25	0

Outside Diameter		Tolerance (Class 2)	
Inch/mm		.0001 Inch/micrometers	
Over	Inclusive	High	Low
0	12.0000	+ 10	0
0	304.800	+ 25	0
12.0000	24.0000	+ 20	0
304.800	609.600	+ 51	0

Cone Number	B	Cup Number	D	Rotating Cone			Stationary Cup		Stationary Cone		Rotating Cup	
	Bore Diameter		Outside Diameter	Shaft Diameter	Resultant Fit	Housing Diameter	Resultant Fit	Shaft Diameter	Resultant Fit	Housing Diameter	Resultant Fit	
	Inch/mm		Inch/mm		.0001 Inch/micrometers	Inch/mm	.0001 Inch/micrometers	Inch/mm	.0001 Inch/micrometers	Inch/mm	.0001 Inch/micrometers	
595 Series NA593	3.5000 88.900	592D	6.0000 152.400	3.5030 3.5020 88.976 88.951	30T 10T 76T 25T	6.0020 6.0030 152.451 152.476	10L 30L 25L 76L	3.5010 3.5000 88.925 88.900	10T 10L 25T 25L	5.9980 5.9990 152.349 152.375	30T 10T 76T 25T	
635 Series NA643	2.7500 69.850	632D	5.3750 136.525	2.7525 2.7515 69.913 69.888	25T 10T 64T 25T	5.3770 5.3780 136.576 136.601	10L 30L 25L 76L	2.7505 2.7500 69.863 68.580	5T 5L 13T 13L	5.3730 5.3740 136.474 136.500	30T 10T 76T 25T	
675 Series NA691	4.0000 101.600	672D	6.6250 168.275	4.0030 4.0020 101.676 101.651	30T 10T 76T 25T	6.6270 6.6280 168.326 168.351	10L 30L 25L 76L	4.0010 4.0000 101.625 101.600	10T 10L 25T 25L	6.6230 6.6240 168.224 168.250	30T 10T 76T 25T	
745 Series NA749	3.2500 82.550	742D	6.1250 155.575	3.2525 3.2515 82.614 82.588	25T 5T 64T 13T	6.1270 6.1280 155.626 155.651	10L 30L 25L 76L	— — — —	— — — —	— — — —	— — — —	
755 Series NA759	3.5000 88.900	752D	6.3750 161.925	3.5030 3.5020 88.976 88.951	30T 10T 76T 25T	6.3370 6.3780 161.976 162.001	10L 30L 25L 76L	3.5010 3.5000 88.925 88.900	10T 10L 25T 25L	6.3730 6.3740 161.874 161.900	30T 10T 76T 25T	
775 Series NA776	3.7500 95.250	774D	7.1250 180.975	3.7530 3.7520 95.326 95.301	30T 10T 76T 25T	7.1270 7.1280 181.026 181.051	10L 30L 25L 76L	3.7510 3.7500 95.275 95.250	10T 10L 25T 25L	7.1230 7.1240 180.924 180.950	30T 10T 76T 25T	
NA782	4.1250 104.775	774D	7.1250 180.975	4.1280 4.1270 104.851 104.826	30T 10T 76T 25T	7.1270 7.1280 181.026 181.051	10L 30L 25L 76L	4.1260 4.1250 104.800 104.775	10T 10L 25T 25L	7.1230 7.1240 180.924 180.950	30T 10T 76T 25T	

\* The maximum fillet on the shaft or in the housing that the bearing corner will clear.

# Tapered Roller Bearings



Load Rating: 3000 hrs L <sub>10</sub> Life @ 500 rpm			K Factor	Cone Number	B	R	U	Cup Number	D	W <sub>o</sub>	r	X	W <sub>n</sub>	
Radial Rating		Thrust Rating			Bore Diameter	Maximum Shaft Fillet Radius *	Minimum Shaft Shoulder Diameter		Outside Diameter	Cup Width	Maximum Housing Fillet Radius *	Maximum Housing Shoulder Diameter	Bearing Width Through Cones	
One Row	Two Row				Inch/mm					Inch/mm				
lbs/N														
20400 90800	35500 158000	16000 71300	1.27	795 Series NA798	5.0000 127.000	0.14 3.5	5.71 145.0	792D	8.1250 206.375	3.2500 82.550	0.03 0.8	7.80 198.0	4.2500 107.950	
24700 110000	43000 191000	14200 63000	1.74	855 Series NA861	4.0000 101.600	0.14 3.5	4.65 118.0	854D	7.5000 190.500	4.0000 101.600	0.06 1.5	6.85 174.0	5.0000 127.000	
30900 137000	53700 239000	17200 76600	1.79	935 Series NA938	4.5000 114.300	0.14 3.5	5.28 134.0	932D	8.3750 212.725	4.6250 117.475	0.06 1.5	7.60 193.0	5.6250 142.875	
16400 72800	28500 127000	10700 47800	1.52	46700 Series NA46790	6.5000 165.100	0.14 3.5	7.13 181.0	46720D	8.8750 225.425	2.7500 69.850	0.03 0.8	8.58 218.0	3.7500 95.250	
15300 67900	26600 118000	8390 37300	1.82	48300 Series NA48390	5.3750 136.525	0.14 3.5	5.94 151.0	48320D	7.5000 190.500	2.8750 73.025	0.03 0.8	7.24 184.0	3.3750 85.725	
15500 68800	26900 120000	8900 39600	1.74	48600 Series NA48686	5.6250 142.875	0.14 3.5	6.22 158.0	48620D	7.8750 200.025	2.8750 73.025	0.03 0.8	7.60 193.0	3.6876 93.665	
12100 53600	21000 93400	9800 43600	1.23	52000 Series NA52637D	3.7500 95.250	0.14 3.5	4.41 112.0	52637D	6.3750 161.925	2.4375 61.912	0.03 0.8	6.06 154.0	3.2499 82.547	

\* The maximum fillet on the shaft or in the housing that the bearing corner will clear.

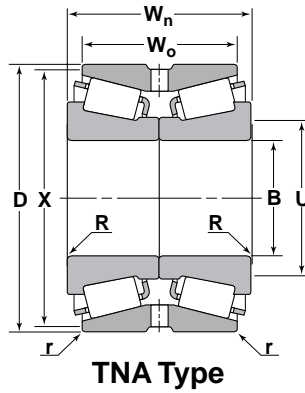
Bore Diameter		Tolerance (Class 2)	
Inch/mm		.0001 Inch/micrometers	
Over	Inclusive	High	Low
0	3.0000	+ 5	0
0	76.200	+ 13	0
3.0000	10.5000	+ 10	0
76.200	266.700	+ 25	0

Outside Diameter		Tolerance (Class 2)	
Inch/mm		.0001 Inch/micrometers	
Over	Inclusive	High	Low
0	12.0000	+ 10	0
0	304.800	+ 25	0
12.0000	24.0000	+ 20	0
304.800	609.600	+ 51	0

Cone Number	B	Cup Number	D	Rotating Cone			Stationary Cup		Stationary Cone		Rotating Cup	
	Bore Diameter		Outside Diameter	Shaft Diameter	Resultant Fit	Housing Diameter	Resultant Fit	Shaft Diameter	Resultant Fit	Housing Diameter	Resultant Fit	
	Inch/mm		Inch/mm		.0001 Inch/micrometers	Inch/mm	.0001 Inch/micrometers	Inch/mm	.0001 Inch/micrometers	Inch/mm	.0001 Inch/micrometers	
795 Series NA798	5.0000 127.000	792D	8.1250 206.375	5.0035 5.0025 127.089 127.064	35T 15T 89T 38T	8.1270 8.1280 206.426 206.451	10L 30L 25L 76L	5.0010 5.0000 127.025 127.000	10T 10L 25T 25L	8.1230 8.1240 206.324 206.350	30T 10T 76T 25T	
855 Series NA861	4.0000 101.600	854D	7.5000 190.500	4.0030 4.0020 101.676 101.651	30T 10T 76T 25T	7.5020 7.5030 190.551 190.576	10L 30L 25L 76L	4.0010 4.0000 101.625 101.600	10T 10L 25T 25L	7.4980 7.4990 190.449 190.475	30T 10T 76T 25T	
935 Series NA938	4.5000 114.300	932D	8.3750 212.725	4.5035 4.5025 114.389 114.364	35T 15T 89T 38T	8.3770 8.3780 212.776 212.801	10L 30L 25L 76L	4.5010 4.5000 114.325 114.300	10T 10L 25T 25L	8.3730 8.3740 212.674 212.700	30T 10T 76T 25T	
4670 Series NA46790	6.5000 165.100	46720D	8.8750 225.425	6.5045 6.5035 165.214 165.189	45T 25T 114T 64T	8.8770 8.8780 225.476 225.501	10L 30L 25L 76L	— — — —	— — — —	— — — —	— — — —	
48300 Series NA48390	5.3750 136.525	48320D	7.5000 190.500	5.3785 5.3775 136.614 136.588	35T 15T 89T 38T	7.5020 7.5030 190.551 190.576	10L 30L 25L 76L	— — — —	— — — —	— — — —	— — — —	
48600 Series NA48686	5.6250 142.875	48620D	7.8750 200.025	5.6290 5.6280 142.977 142.951	40T 20T 102T 51T	7.8770 7.8780 200.076 200.101	10L 30L 25L 76L	— — — —	— — — —	— — — —	— — — —	
52000 Series NA52375	3.7500 95.250	52637D	6.3750 161.925	3.7530 3.7520 95.326 95.301	30T 10T 76T 25T	6.3770 6.3780 161.976 162.001	10L 30L 25L 76L	3.7510 3.7500 95.275 95.250	10T 10L 25T 25L	6.3730 6.3740 161.874 161.900	30T 10T 76T 25T	

\* The maximum fillet on the shaft or in the housing that the bearing corner will clear.

# Tapered Roller Bearings



Load Rating: 3000 hrs L <sub>10</sub> Life @ 500 rpm			K Factor	Cone Number	B	R	U	Cup Number	D	W <sub>o</sub>	r	X	W <sub>n</sub>
Radial Rating		Thrust Rating			Bore Diameter	Maximum Shaft Fillet Radius *	Minimum Shaft Shoulder Diameter		Outside Diameter	Cup Width	Maximum Housing Fillet Radius *	Maximum Housing Shoulder Diameter	Bearing Width Through Cones
One Row	Two Row				Inch/mm		Inch/mm						
lbs/N													
21900 97200	38100 169000	16500 73200	1.33	67700 Series	7.0000 177.800	0.14 3.5	7.64 194.0	67720D	9.7500 247.650	3.3125 84.138	0.03 0.8	9.45 240.0	4.0625 103.188
				NA67790									
19600 87300	34200 152000	14000 62200	1.40	71000 Series	4.5000 114.300	0.14 3.5	5.20 132.0	71751D	7.5000 190.500	3.1875 80.962	0.06 1.5	7.13 181.0	4.1875 106.362
				NA71450									
20600 91700	35900 160000	17200 76500	4.20	74000 Series	5.2500 133.350	0.14 3.5	5.98 152.0	74851D	8.5000 215.900	3.1875 80.962	0.06 1.5	8.19 208.0	4.1875 106.362
				NA74525									
19300 85900	33600 149600	11600 51800	1.66	81000 Series	5.5000 139.700	0.14 3.5	5.98 152.0	81963D	9.6250 244.475	3.1250 79.375	0.06 1.5	9.21 234.0	4.2500 107.950
				NA81550									
19300 85900	33600 149600	11600 51800	1.66	81000 Series	6.0000 152.400	0.14 3.5	6.50 165.0	81963D	9.6250 244.475	3.1250 79.375	0.06 1.5	9.21 234.0	4.2500 107.950
				81600									
27800 124000	48400 215000	21000 93600	1.32	82000 Series	5.8750 149.225	0.14 3.5	6.73 171.0	82951D	9.5000 241.300	4.1875 106.362	0.06 1.5	8.90 226.0	5.1875 131.762
				NA82587									
39500 175000	68700 306000	35300 157000	1.12	93000 Series	8.0000 203.200	0.22 5.5	9.06 230.0	93127D	12.5000 317.500	4.3750 111.125	0.06 1.5	11.81 300.0	5.7500 146.050
				NA93800									

\* The maximum fillet on the shaft or in the housing that the bearing corner will clear.

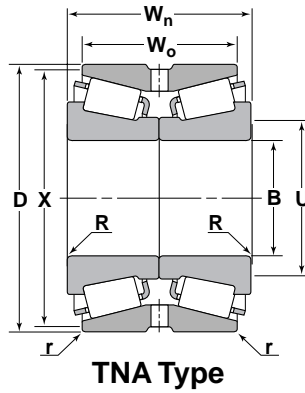
Bore Diameter		Tolerance (Class 2)	
Inch/mm		.0001 Inch/micrometers	
Over	Inclusive	High	Low
0	3.0000	+ 5	0
0	76.200	+ 13	0
3.0000	10.5000	+ 10	0
76.200	266.700	+ 25	0

Outside Diameter		Tolerance (Class 2)	
Inch/mm		.0001 Inch/micrometers	
Over	Inclusive	High	Low
0	12.0000	+ 10	0
0	304.800	+ 25	0
12.0000	24.0000	+ 20	0
304.800	609.600	+ 51	0

Cone Number	B	Cup Number	D	Rotating Cone		Stationary Cup		Stationary Cone		Rotating Cup	
	Bore Diameter		Outside Diameter	Shaft Diameter	Resultant Fit	Housing Diameter	Resultant Fit	Shaft Diameter	Resultant Fit	Housing Diameter	Resultant Fit
	Inch/mm		Inch/mm	.0001 Inch/micrometers	Inch/mm	.0001 Inch/micrometers	Inch/mm	.0001 Inch/micrometers	Inch/mm	.0001 Inch/micrometers	Inch/mm
67700 Series NA67790	7.0000 177.800	67720D	9.7500 247.650	7.0045 7.0035 177.914 177.889	45T 25T 114T 64T	9.7520 9.7530 247.701 247.726	10L 30L 25L 76L	— — — —	— — — —	— — — —	— — — —
71000 Series NA71450	4.5000 114.300	71751D	7.5000 190.500	4.5035 4.5025 114.389 114.364	35T 15T 89T 38T	7.5020 7.5030 190.551 190.576	10L 30L 25L 76L	4.5010 4.5000 114.325 114.300	10T 10L 25T 25L	7.4980 7.4990 190.449 190.475	30T 10T 76T 25T
74000 Series NA74585	5.2500 133.3501	74851D	8.5000 215.900	5.2535 5.2525 133.439 133.414	35T 15T 89T 38T	8.5020 8.5030 215.951 215.976	10L 30L 25L 76L	— — — —	— — — —	— — — —	— — — —
81000 Series NA81550	5.5000 139.700	81963D	9.6250 244.475	5.5040 5.5030 139.802 139.776	40T 20T 102T 51T	9.6270 9.6280 244.526 244.551	10L 30L 25L 76L	— — — —	— — — —	— — — —	— — — —
NA81600	6.0000 152.400	81963D	9.6250 244.475	6.0040 6.0030 152.502 152.476	40T 20T 102T 51T	9.6270 9.6280 244.526 244.511	10L 30L 25L 76L	— — — —	— — — —	— — — —	— — — —
82000 Series NA82587	5.8750 149.225	82951D	9.5000 241.300	5.8790 5.8780 149.327 149.301	40T 20T 102T 51T	9.5020 9.5030 241.351 241.376	10L 30L 25L 76L	— — — —	— — — —	— — — —	— — — —
93000 Series NA93800	8.0000 203.200	93127D	12.5000 317.500	8.0050 8.0040 203.327 203.302	50T 30T 127T 76T	12.5040 12.5060 317.602 317.652	20L 60L 51L 152L	— — — —	— — — —	— — — —	— — — —

\* The maximum fillet on the shaft or in the housing that the bearing corner will clear.

# Tapered Roller Bearings



Load Rating: 3000 hrs L <sub>10</sub> Life @ 500 rpm			K Factor	Cone Number	B	R	U	Cup Number	D	W <sub>o</sub>	r	X	W <sub>n</sub>
Radial Rating		Thrust Rating			Bore Diameter	Maximum Shaft Fillet Radius *	Minimum Shaft Shoulder Diameter		Outside Diameter	Cup Width	Maximum Housing Fillet Radius *	Maximum Housing Shoulder Diameter	Bearing Width Through Cones
One Row	Two Row				Inch/mm				Inch/mm				
lbs/N													
35600 159000	62000 276000	28600 127000	1.25	94000 Series	6.5000 165.100	0.14 3.5	7.32 186.0	94114D	11.3750 288.925	4.3750 111.125	0.06 1.5	10.71 272.0	5.6250 142.875
				NA94650									
35600 159000	62000 276000	28600 127000	1.25	NA94700	7.0000 177.800	0.22 5.5	7.99 203.0	94114D	11.3750 288.925	4.3750 111.125	0.06 1.5	10.71 272.0	5.6250 142.875
				95000 Series	5.0000 127.000	0.14 3.5	5.87 149.0	95927D	9.2500 234.950	4.5000 114.300	0.06 1.5	8.54 217.0	5.6250 142.875
NA95500													
35600 158000	62000 276000	24800 110000	1.43	99000 Series	6.0000 152.400	0.14 3.5	6.85 174.0	99102D	10.0000 254.000	4.3750 111.125	0.06 1.5	9.37 128.0	5.6250 142.875
				NA99600									
36700 163000	63900 284000	20500 91000	1.79	HH224300 Series	4.5000 114.300	0.14 3.5	5.35 136.0	HH224310D	8.3750 212.725	4.6250 117.475	0.06 1.5	7.94 202.0	5.6250 142.875
				HH224346NA									
44500 198000	77400 344000	24300 108000	1.83	HM237500 Series	6.5000 165.100	0.14 3.5	7.28 185.0	HM237510D	11.3750 288.925	4.3750 111.125	0.06 1.5	10.68 271.0	5.6250 142.875
				HM237536NA									
44500 198000	77400 344000	24300 108000	1.83	HM237545NA	7.0000 177.800	0.22 5.5	7.95 202.0	HM237510D	11.3750 288.925	4.3750 111.125	0.06 1.5	10.68 271.0	5.6250 142.875

\* The maximum fillet on the shaft or in the housing that the bearing corner will clear.

# Dimensions and Ratings

Bore Diameter		Tolerance (Class 2)	
Inch/mm		.0001 Inch/micrometers	
Over	Inclusive	High	Low
0	3.0000	+ 5	0
0	76.200	+ 13	0
3.0000	10.5000	+ 10	0
76.200	266.700	+ 25	0

Outside Diameter		Tolerance (Class 2)	
Inch/mm		.0001 Inch/micrometers	
Over	Inclusive	High	Low
0	12.0000	+ 10	0
0	304.800	+ 25	0
12.0000	24.0000	+ 20	0
304.800	609.600	+ 51	0

Cone Number	B	Cup Number	D	Rotating Cone		Stationary Cup		Stationary Cone		Rotating Cup	
	Bore Diameter		Outside Diameter	Shaft Diameter	Resultant Fit	Housing Diameter	Resultant Fit	Shaft Diameter	Resultant Fit	Housing Diameter	Resultant Fit
	Inch/mm		Inch/mm	.0001 Inch/micrometers	Inch/mm	.0001 Inch/micrometers	Inch/mm	.0001 Inch/micrometers	Inch/mm	.0001 Inch/micrometers	Inch/mm
94000 Series NA94650	6.5000	94114D	11.3750	6.5045 6.5035	45T 25T	11.3770 11.3780	10L 30L	— —	— —	— —	— —
	165.100		288.925	165.214 165.189	114T 64T	288.976 289.001	25L 76L	— —	— —	— —	— —
NA94700	7.0000	94114D	11.3750	7.0045 7.0035	45T 25T	11.3770 11.3780	10L 30L	— —	— —	— —	— —
	177.800		288.925	177.914 177.889	114T 64T	288.976 289.001	25L 76L	— —	— —	— —	— —
95000 Series NA95500	5.0000	95927D	9.2500	5.0035 5.0025	35T 15T	9.2520 9.2530	10L 30L	5.0010 5.0000	10T 10L	9.2480 9.2490	30T 10T
	127.000		234.950	127.089 127.064	89T 38T	235.001 235.026	25L 76L	127.025 127.000	25T 25L	234.899 234.925	76T 25T
99000 Series NA99600	6.0000	99102D	10.0000	6.0040 6.0030	40T 20T	10.0020 10.0030	10L 30L	— —	— —	— —	— —
	152.400		254.000	152.502 152.476	102T 51T	254.051 254.076	25L 76L	— —	— —	— —	— —
HH224300 Series HH224346N	4.5000	HH224310D	8.3750	4.5035 4.5025	35T 15T	8.3770 8.3780	10L 30L	4.5010 4.5000	10T 10L	8.3730 8.3740	30T 10T
	114.300		212.725	114.389 114.364	89T 38T	212.776 212.801	25L 76L	114.325 114.300	25T 25L	212.674 212.700	76T 25T
HM237500 Series HM237536	6.5000	HM237510D	11.3750	6.5045 6.5035	45T 25T	11.3770 11.3780	10L 30L	— —	— —	— —	— —
	165.100		288.925	165.214 165.189	114T 64T	288.976 289.001	25L 76L	— —	— —	— —	— —
HM237545	7.0000	HM237510D	11.3750	7.0045 7.0035	45T 25T	11.3770 11.3780	10L 30L	— —	— —	— —	— —
	177.800		288.925	177.914 177.889	114T 64T	288.976 289.001	25L 76L	— —	— —	— —	— —

\* The maximum fillet on the shaft or in the housing that the bearing corner will clear.